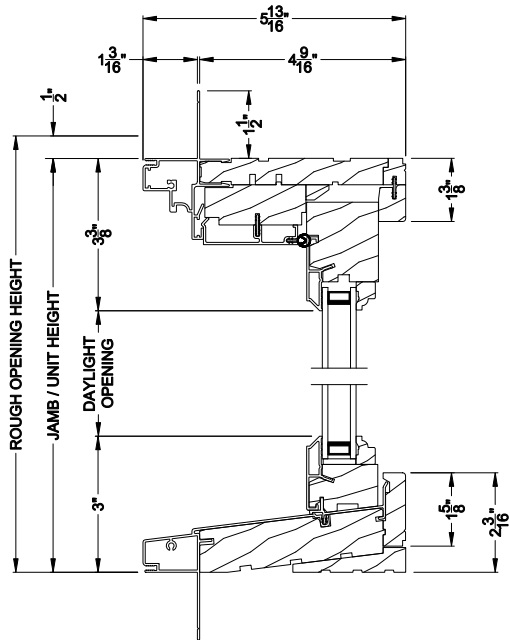


Weather Shield®

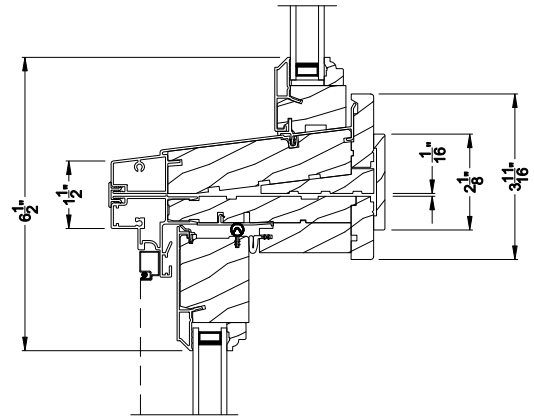
Premium Series™

Double Hung Windows

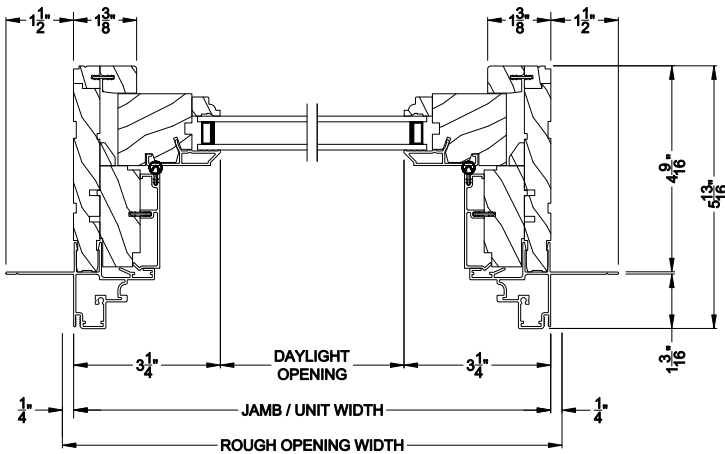
CROSS SECTION DETAILS



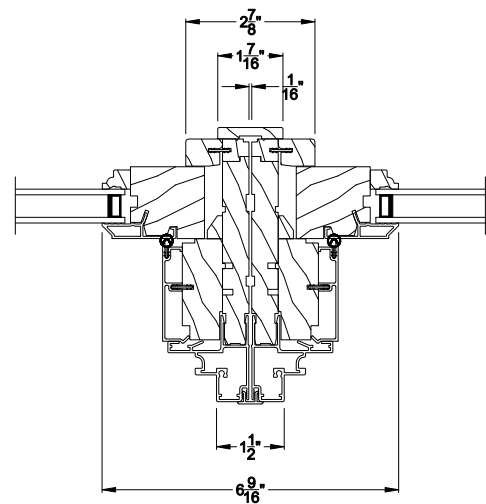
PREMIUM DOUBLE HUNG TRANSOM (8117)
Vertical Section



PREMIUM DOUBLE HUNG TRANSOM
Horizontal Stack Section - Transom Stack over DH



PREMIUM DOUBLE HUNG TRANSOM (8117)
Horizontal Section



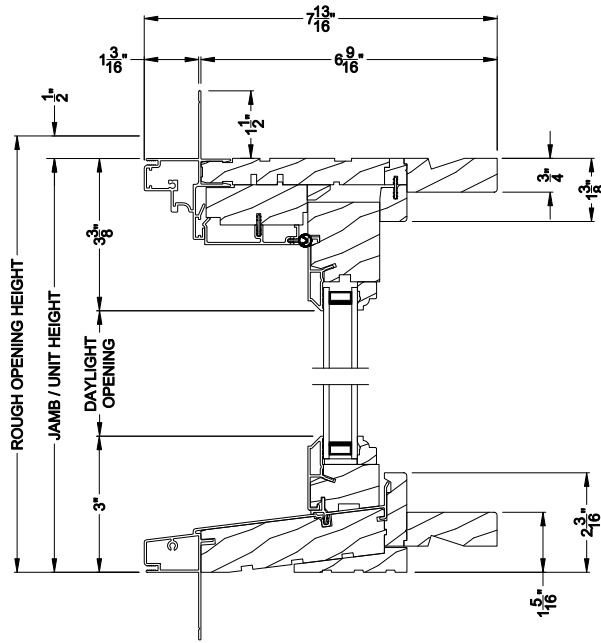
PREMIUM DOUBLE HUNG TRANSOM
Vertical Mull Section - Picture / Picture

Weather Shield®

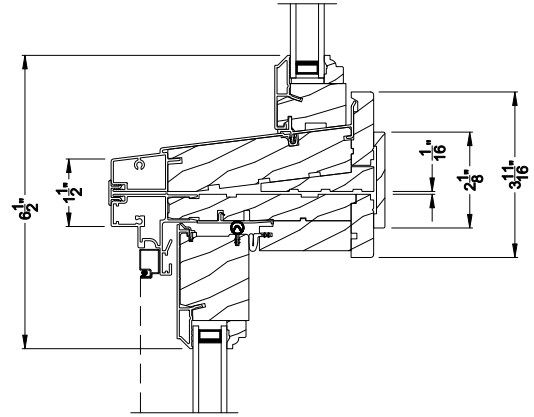
Premium Series™

Double Hung Windows

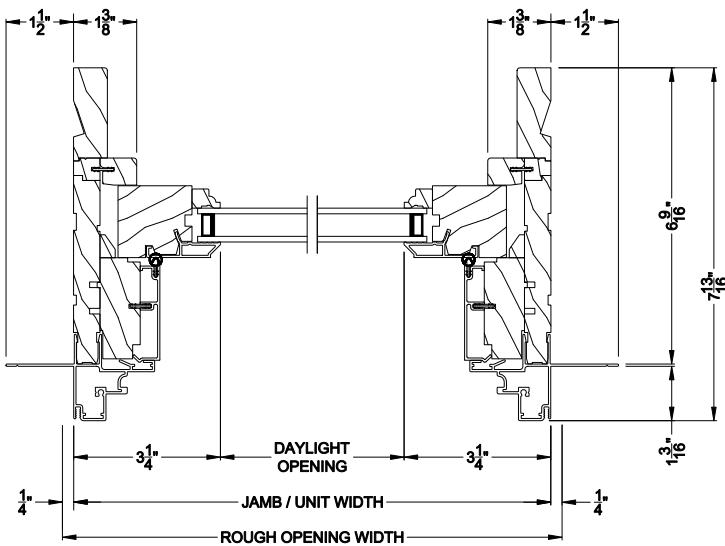
CROSS SECTION DETAILS



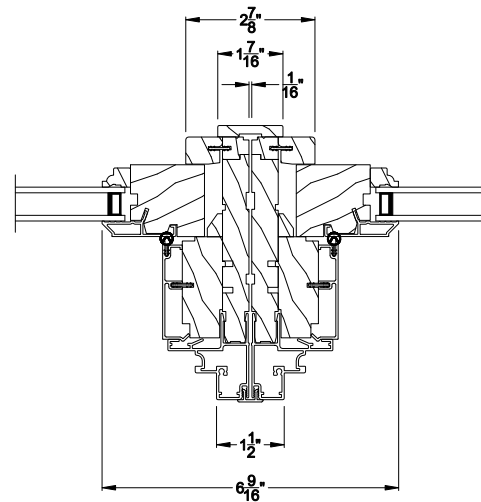
PREMIUM DOUBLE HUNG TRANSOM (8117)
Vertical Section - 6-9/16" jamb



PREMIUM DOUBLE HUNG TRANSOM
Horizontal Stack Section - Transom Stack over DH



PREMIUM DOUBLE HUNG TRANSOM (8117)
Horizontal Section - 6-9/16" jamb



PREMIUM DOUBLE HUNG TRANSOM
Vertical Mull Section - Picture / Picture