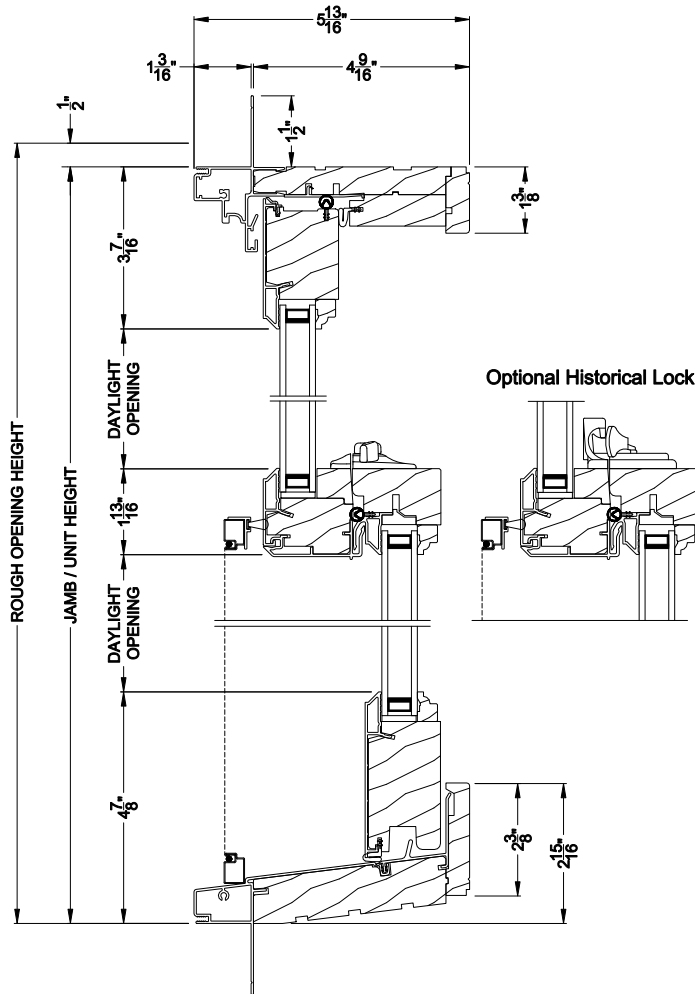


# Weather Shield®

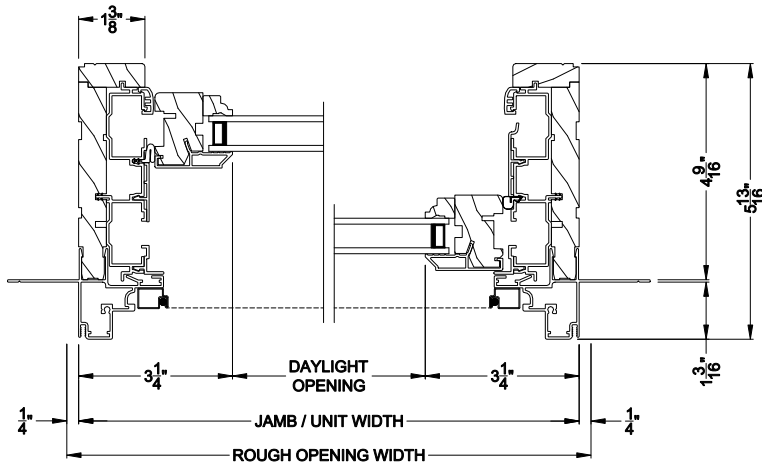
## Premium Series™

# Double Hung Windows

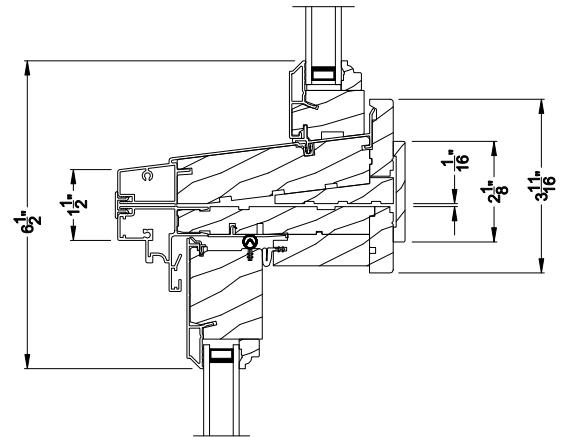
## CROSS SECTION DETAILS



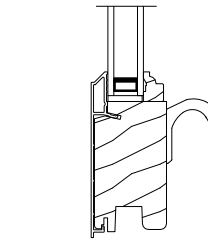
**PREMIUM DOUBLE HUNG WINDOW (8120)**  
Vertical Section - Half Screen



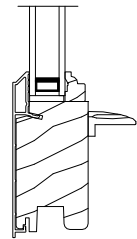
**PREMIUM DOUBLE HUNG WINDOW (8120)**  
Horizontal Section



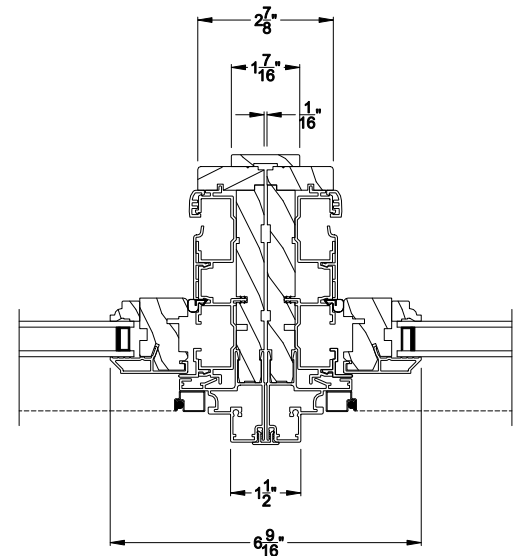
**PREMIUM DOUBLE HUNG WINDOW**  
Horizontal Stack Section - Transom Stack over DH



Optional Historical Sash Lift



Optional Contemporary Sash Lift



**PREMIUM DOUBLE HUNG WINDOW**  
Vertical Mull Section - DH / DH

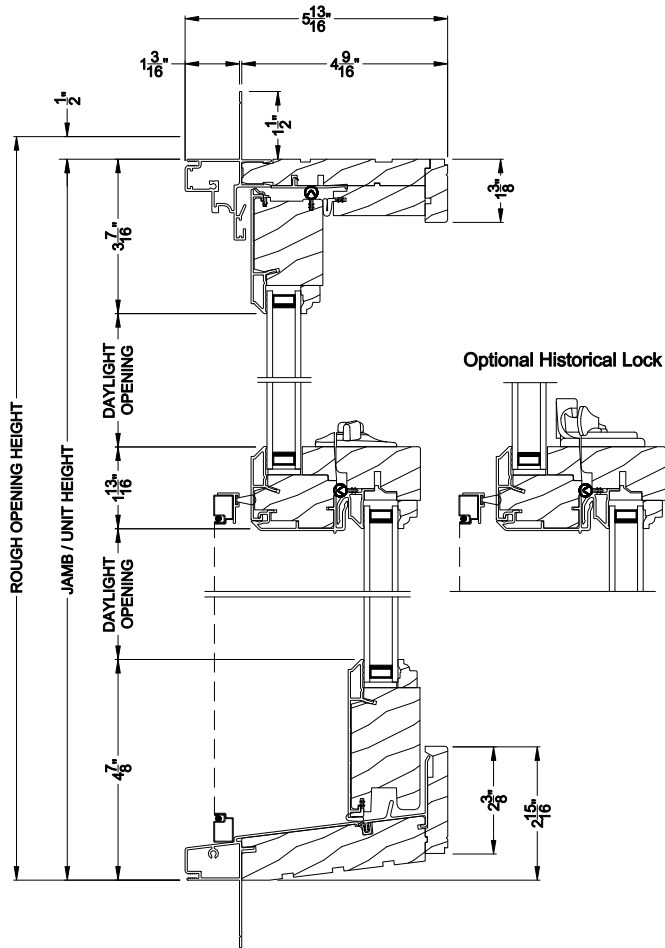
Note: All dimensions are approximate. Weather Shield reserves the right to change specifications without notice.

# Weather Shield®

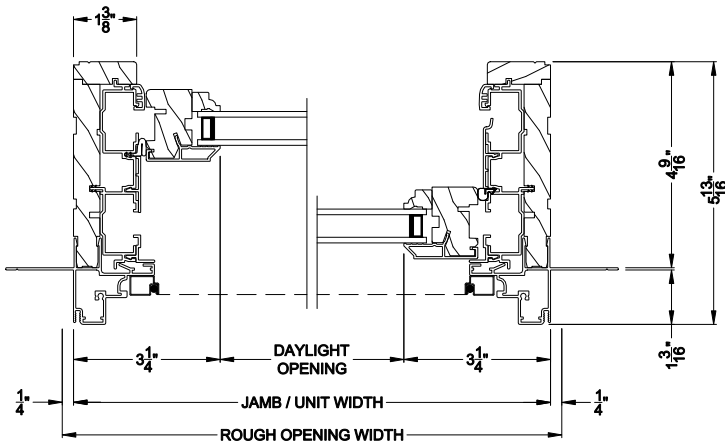
## Premium Series™

# Double Hung Windows

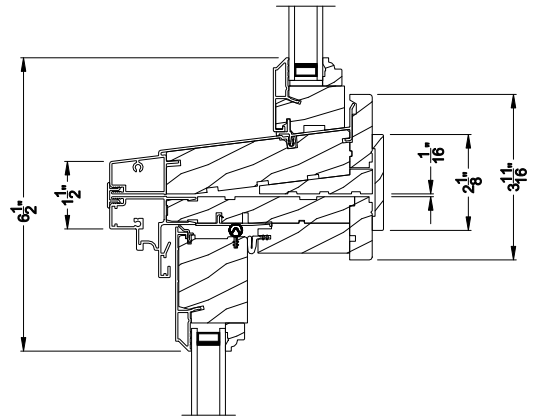
## CROSS SECTION DETAILS



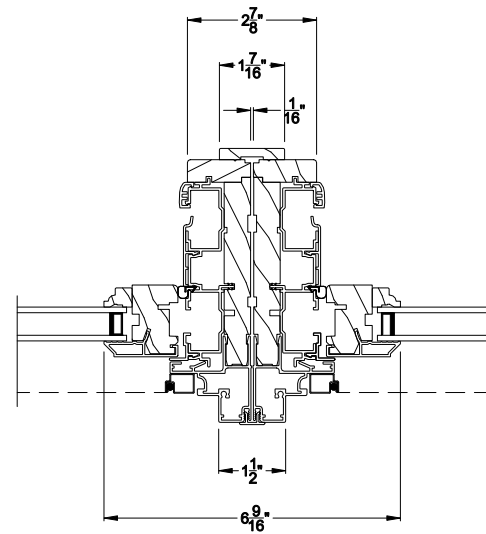
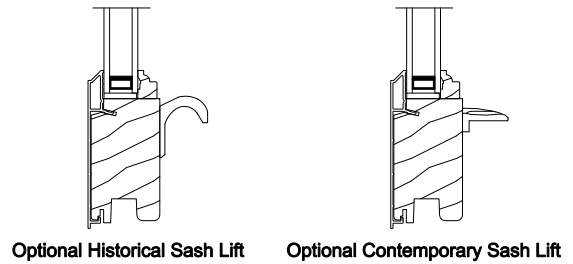
**PREMIUM DOUBLE HUNG WINDOW (8120)**  
Vertical Section - Half Screen



**PREMIUM DOUBLE HUNG WINDOW (8120)**  
Horizontal Section



**PREMIUM DOUBLE HUNG WINDOW**  
Horizontal Stack Section - Transom Stack over DH



**PREMIUM DOUBLE HUNG WINDOW**  
Vertical Mull Section - DH / DH

Note: All dimensions are approximate. Weather Shield reserves the right to change specifications without notice.