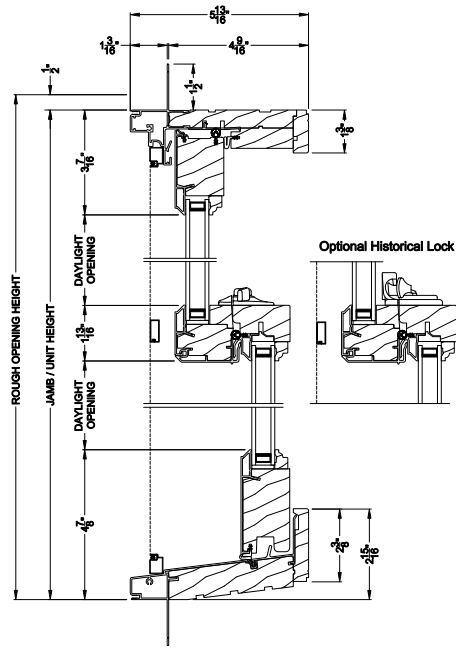
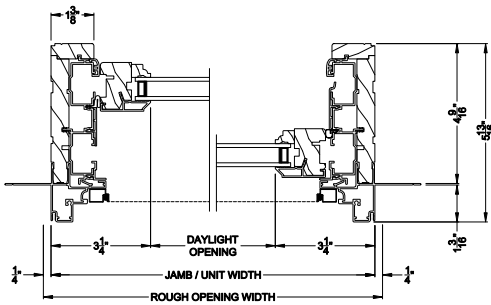


Weather Shield® Premium Series™

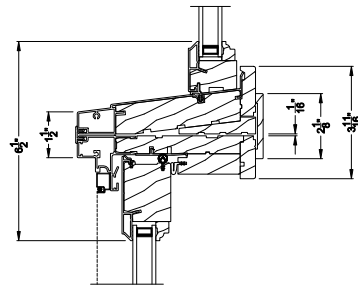
Double Hung Windows CROSS SECTION DETAILS



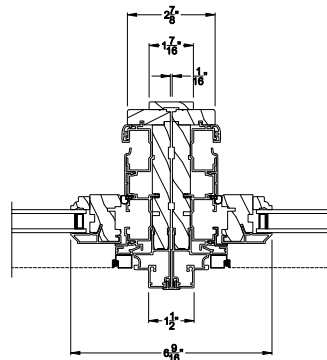
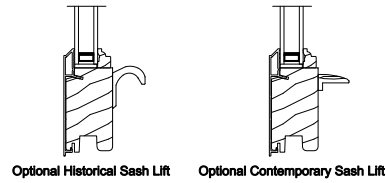
PREMIUM DOUBLE HUNG WINDOW (8120)
Vertical Section



PREMIUM DOUBLE HUNG WINDOW (8120)
Horizontal Section



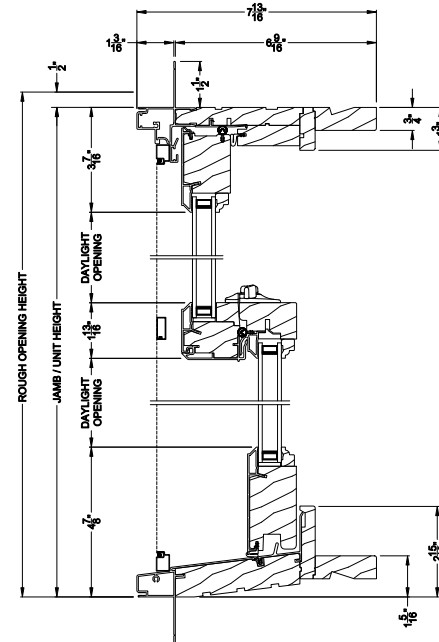
PREMIUM DOUBLE HUNG WINDOW
Horizontal Stack Section - Transom Stack over DH



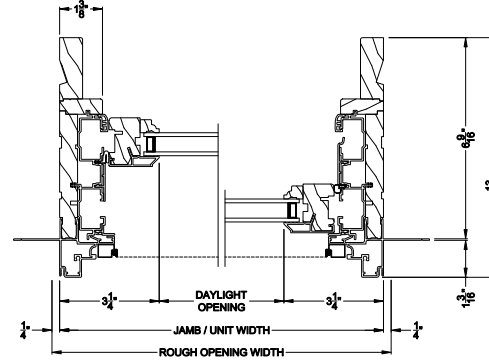
PREMIUM DOUBLE HUNG WINDOW
Vertical Mull Section - DH / DH

Weather Shield® Premium Series™

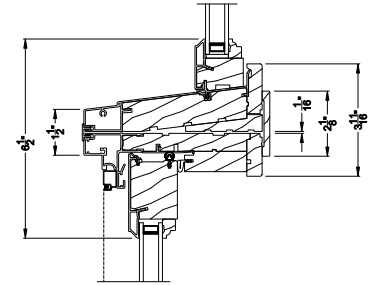
Double Hung Windows CROSS SECTION DETAILS



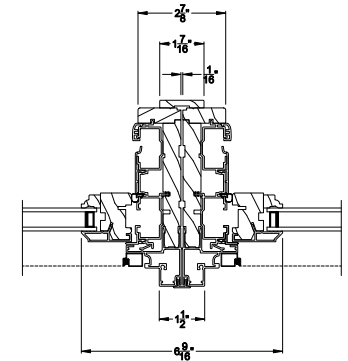
PREMIUM DOUBLE HUNG WINDOW (8120)
Vertical Section - 6-9/16" Jamb



PREMIUM DOUBLE HUNG WINDOW (8120)
Horizontal Section - 6-9/16" jamb



PREMIUM DOUBLE HUNG WINDOW
Horizontal Stack Section - Transom Stack over DH



PREMIUM DOUBLE HUNG WINDOW
Vertical Mull Section - DH / DH

Note: All dimensions are approximate. Weather Shield reserves the right to change specifications without notice.

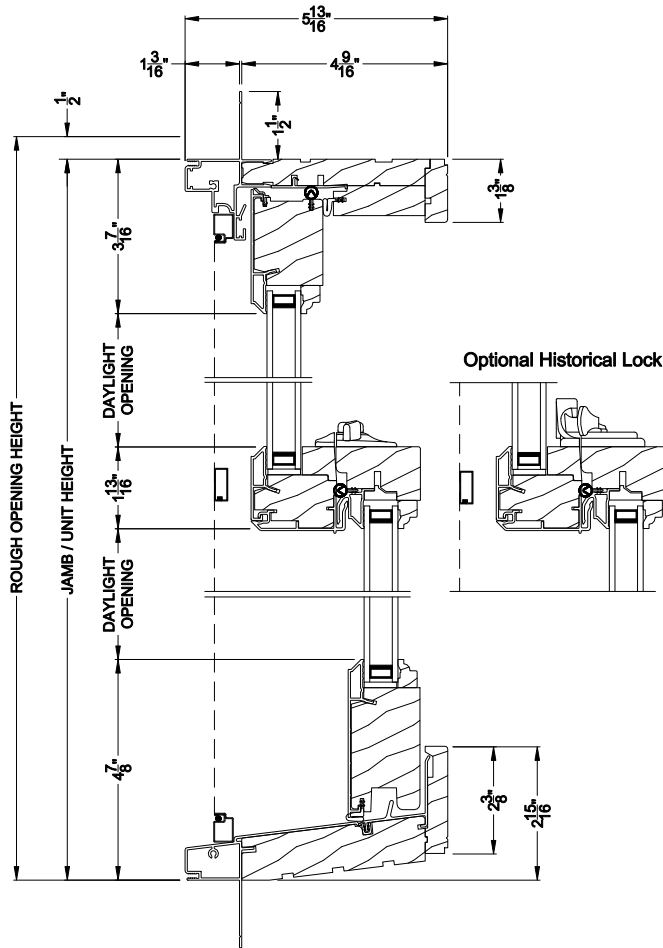
Note: All dimensions are approximate. Weather Shield reserves the right to change specifications without notice.

Weather Shield®

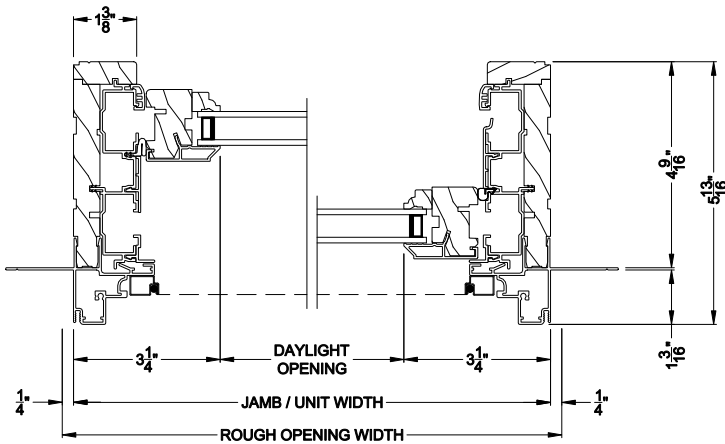
Premium Series™

Double Hung Windows

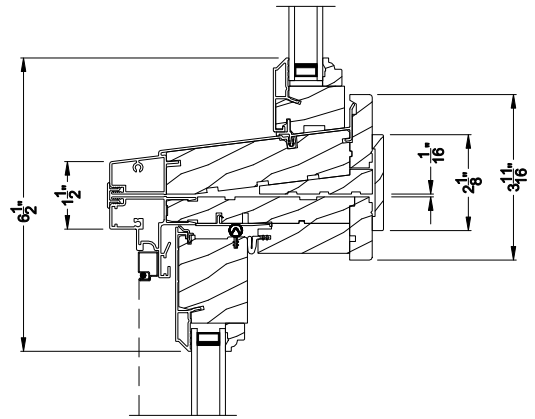
CROSS SECTION DETAILS



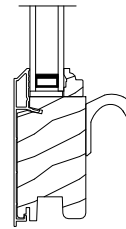
PREMIUM DOUBLE HUNG WINDOW (8120)
Vertical Section



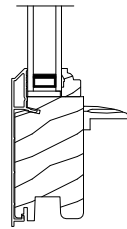
PREMIUM DOUBLE HUNG WINDOW (8120)
Horizontal Section



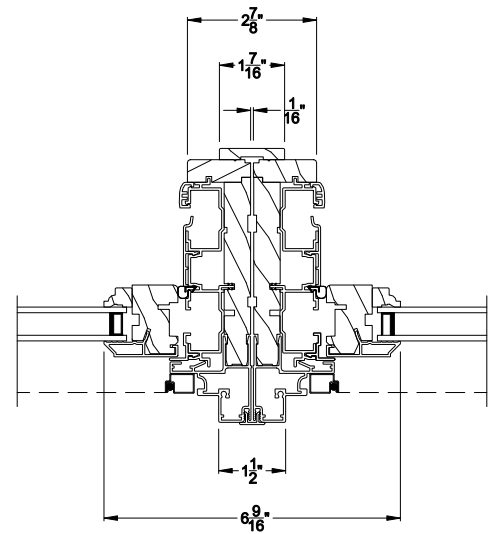
PREMIUM DOUBLE HUNG WINDOW
Horizontal Stack Section - Transom Stack over DH



Optional Historical Sash Lift



Optional Contemporary Sash Lift



PREMIUM DOUBLE HUNG WINDOW
Vertical Mull Section - DH / DH

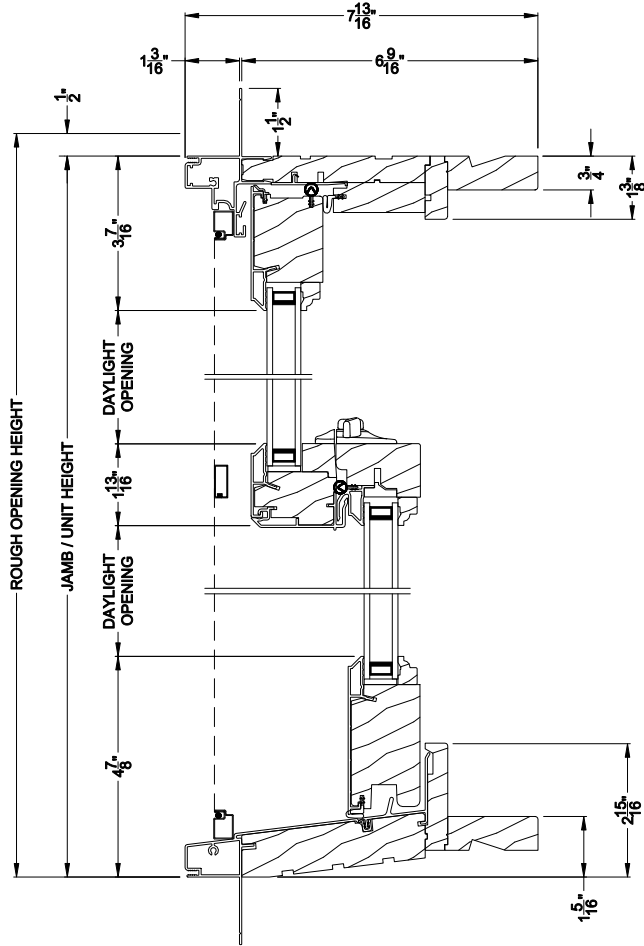
Note: All dimensions are approximate. Weather Shield reserves the right to change specifications without notice.

Weather Shield®

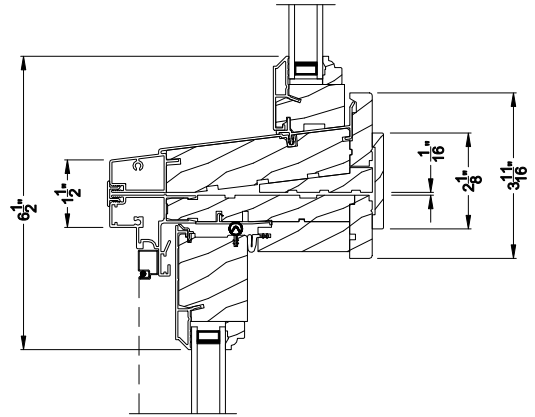
Premium Series™

Double Hung Windows

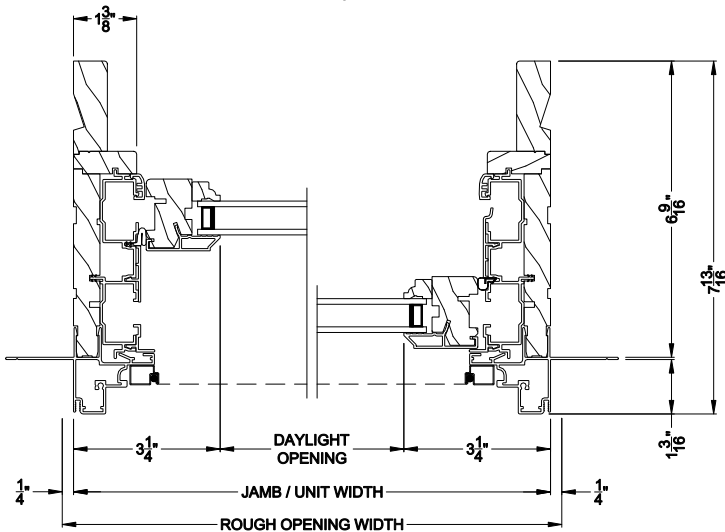
CROSS SECTION DETAILS



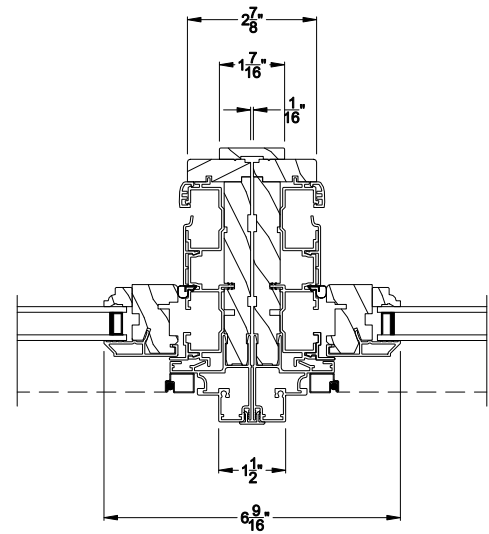
PREMIUM DOUBLE HUNG WINDOW (8120)
Vertical Section - 6-9/16" jamb



PREMIUM DOUBLE HUNG WINDOW
Horizontal Stack Section - Transom Stack over DH



PREMIUM DOUBLE HUNG WINDOW (8120)
Horizontal Section - 6-9/16" jamb



PREMIUM DOUBLE HUNG WINDOW
Vertical Mull Section - DH / DH

Note: All dimensions are approximate. Weather Shield reserves the right to change specifications without notice.