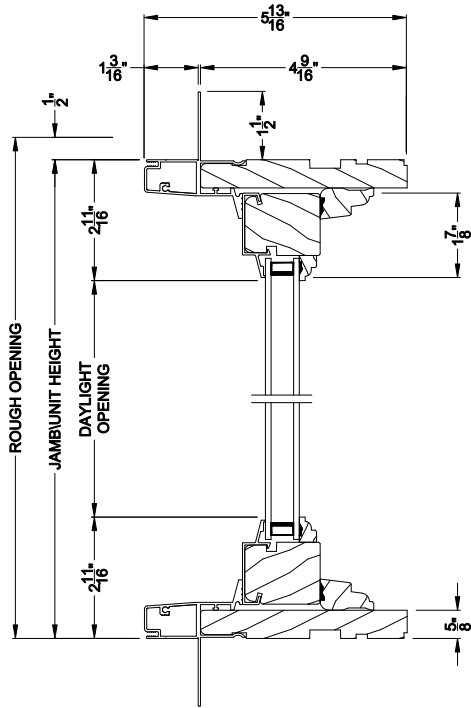


# Weather Shield®

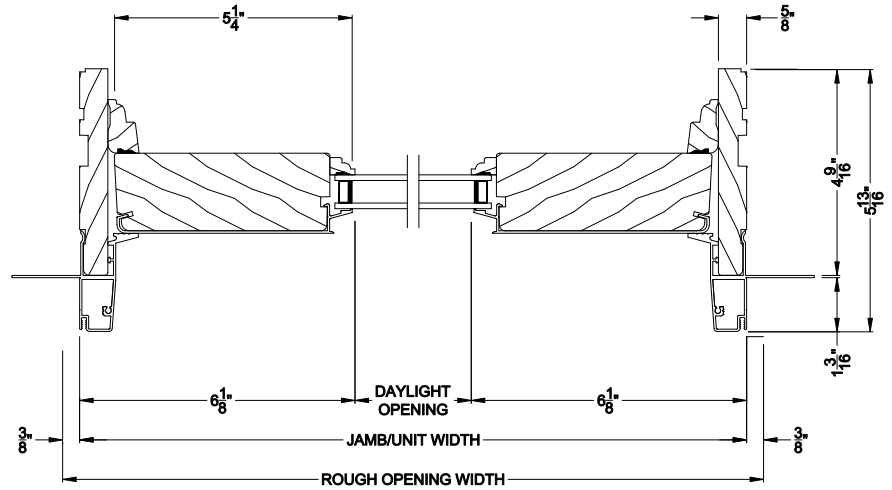
## Premium Series™

# Hinged Door Transom

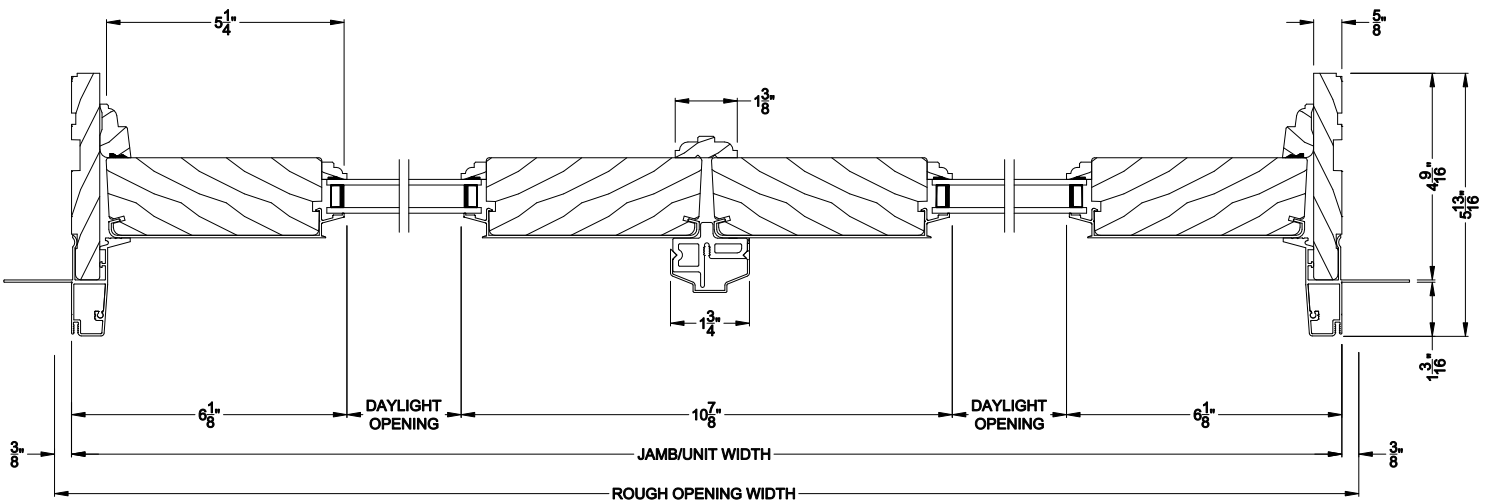
## CROSS SECTION DETAILS



**PREMIUM INSWING HINGED DOOR TRANSOM (830)**  
Vertical Section - With Panel



**PREMIUM INSWING HINGED DOOR TRANSOM (830)**  
Horizontal Section - With 1 Panel



**PREMIUM INSWING HINGED DOOR TRANSOM (830)**  
Horizontal Section - With 2 Panels

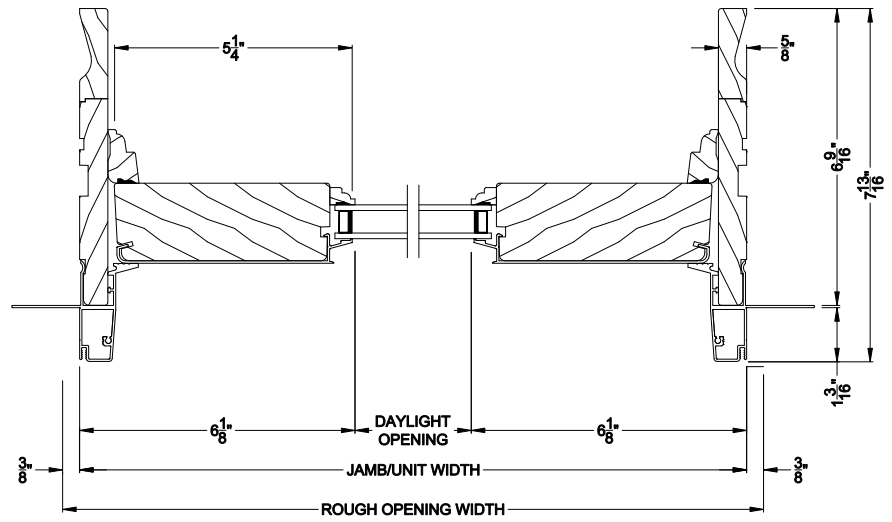
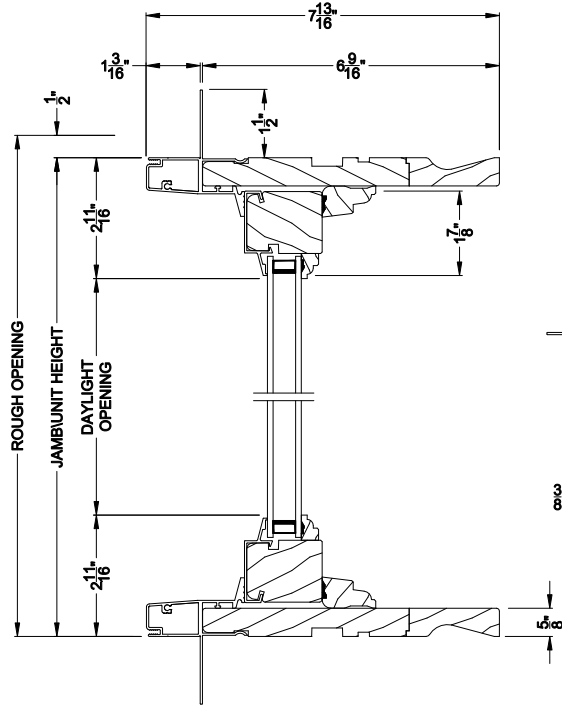
Note: All dimensions are approximate. Weather Shield reserves the right to change specifications without notice.

# Weather Shield®

## Premium Series™

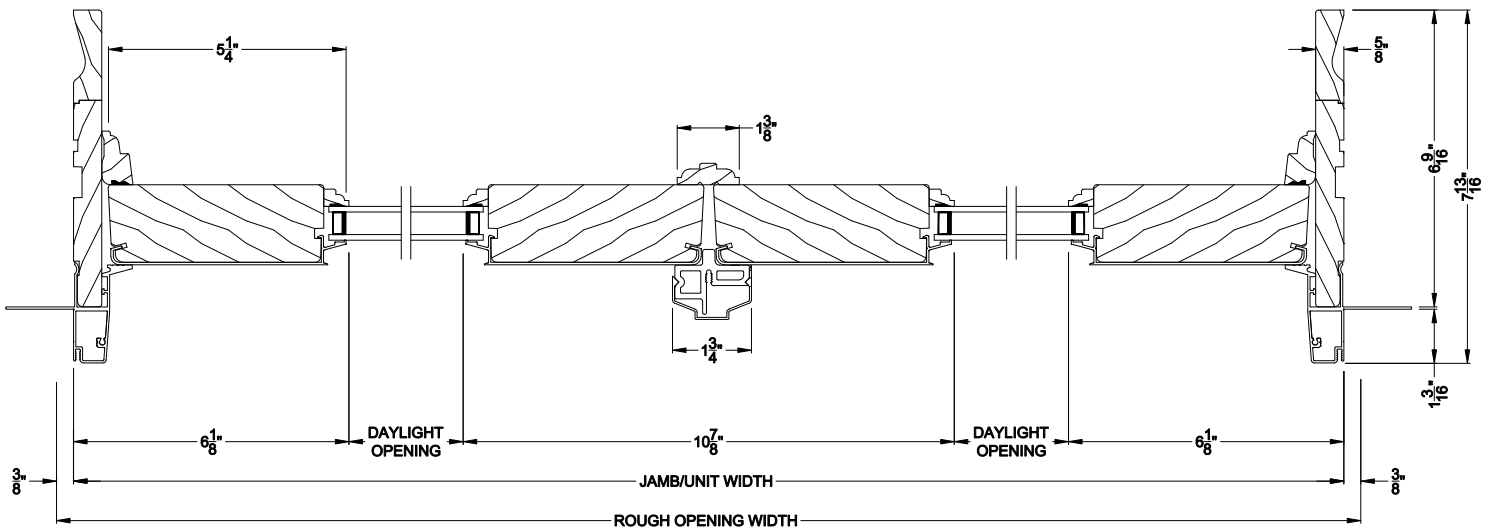
# Hinged Door Transom

## CROSS SECTION DETAILS



**PREMIUM INSWING HINGED DOOR TRANSOM (830)**  
Horizontal Section - With 1 Panel - 6-9/16" jamb

**PREMIUM INSWING HINGED DOOR TRANSOM (830)**  
Vertical Section - With Panel - 6-9/16" jamb



**PREMIUM INSWING HINGED DOOR TRANSOM (830)**  
Horizontal Section - With 2 Panels - 6-9/16" jamb

Note: All dimensions are approximate. Weather Shield reserves the right to change specifications without notice.