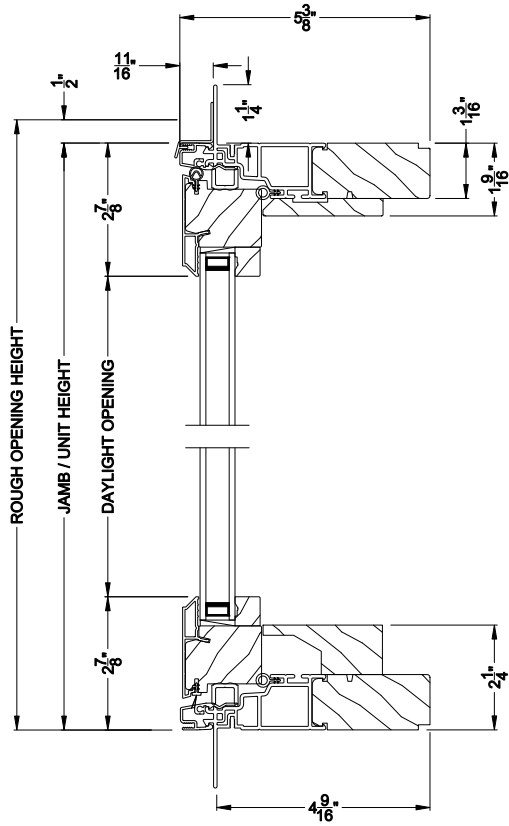


Weather Shield®

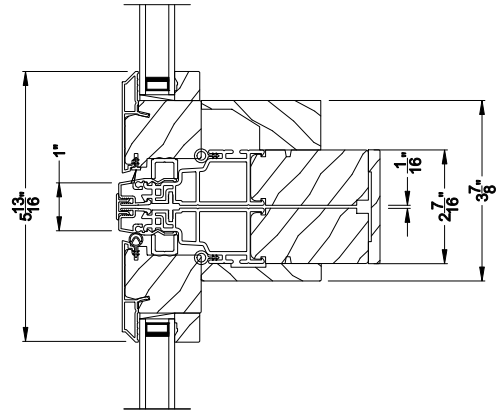
Contemporary Collection™

Push Out Casement Windows

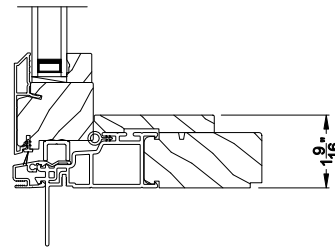
CROSS SECTION DETAILS



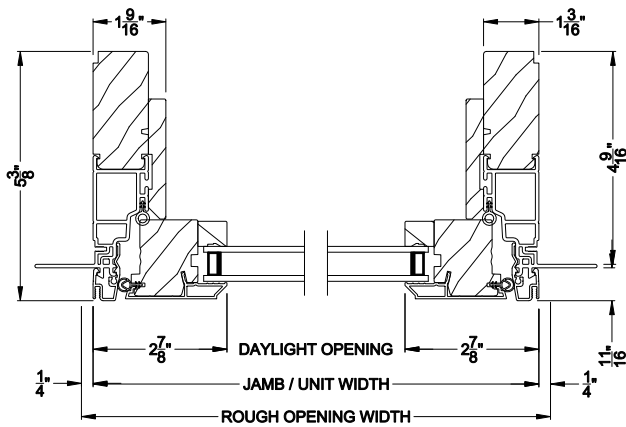
CONTEMPORARY CASEMENT PICTURE WINDOW (8220)
Vertical Section - Flush Frame - Manual Push Out



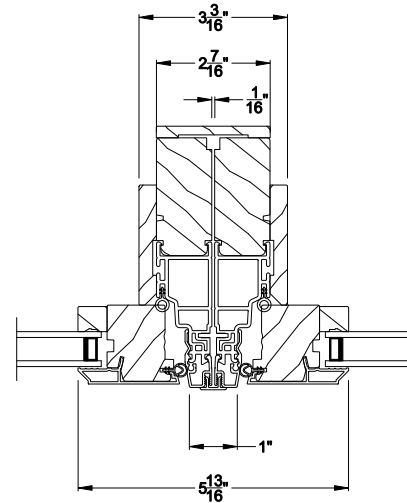
CONTEMPORARY CASEMENT PICTURE WINDOW
Horizontal Stack Section - Transom Stack over Casement Picture



CONTEMPORARY CASEMENT PICTURE WINDOW (8220)
Vertical Section - Manual Push Out - Low Profile Sill



CONTEMPORARY CASEMENT PICTURE WINDOW (8220)
Horizontal Section - Flush Frame - Manual Push Out



CONTEMPORARY CASEMENT PICTURE WINDOW
Vertical Mull Section

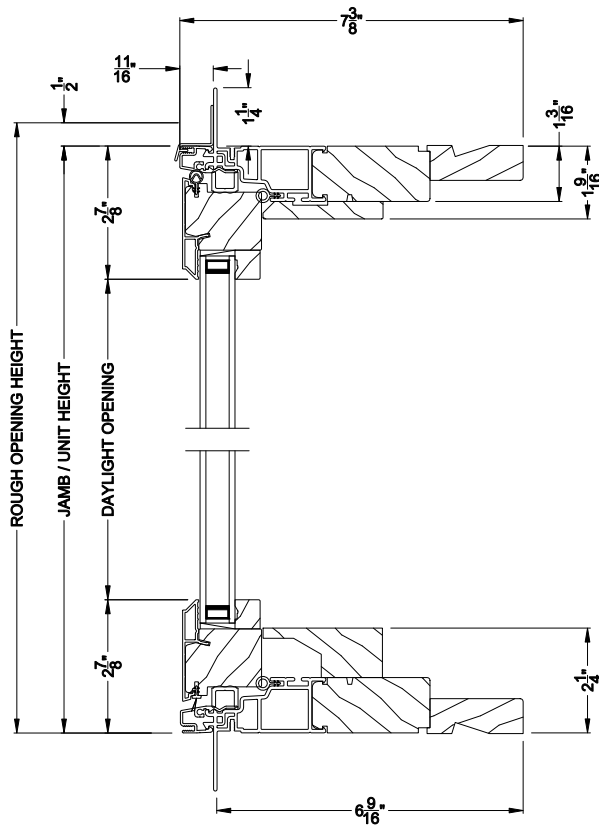
Note: All dimensions are approximate. Weather Shield reserves the right to change specifications without notice.

Weather Shield®

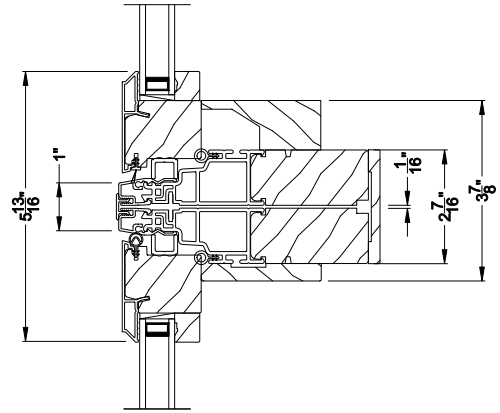
Contemporary Collection™

Push Out Casement Windows

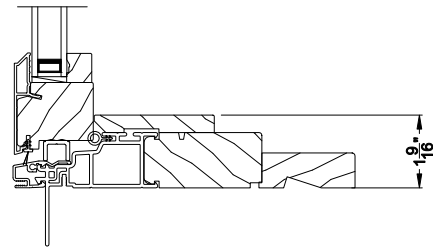
CROSS SECTION DETAILS



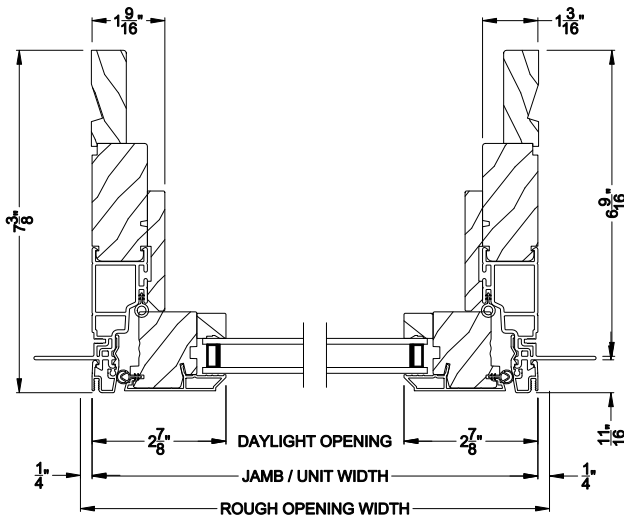
CONTEMPORARY CASEMENT PICTURE WINDOW (8220)
Vertical Section - Flush Frame - Manual Push Out - 6-9/16" jamb



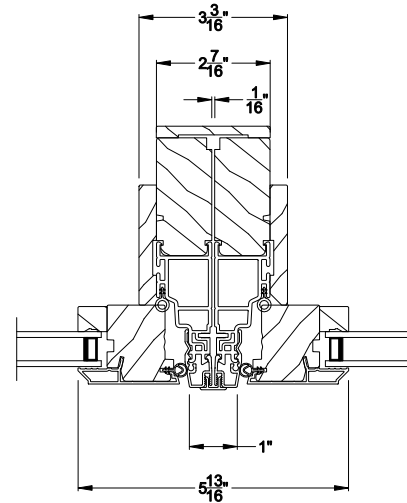
CONTEMPORARY CASEMENT PICTURE WINDOW
Horizontal Stack Section - Transom Stack over Casement Picture



CONTEMPORARY CASEMENT PICTURE WINDOW (8220)
Vertical Section - Manual Push Out - Low Profile Sill



CONTEMPORARY CASEMENT PICTURE WINDOW (8220)
Horizontal Section - Flush Frame - Manual Push Out - 6-9/16" jamb



CONTEMPORARY CASEMENT PICTURE WINDOW
Vertical Mull Section

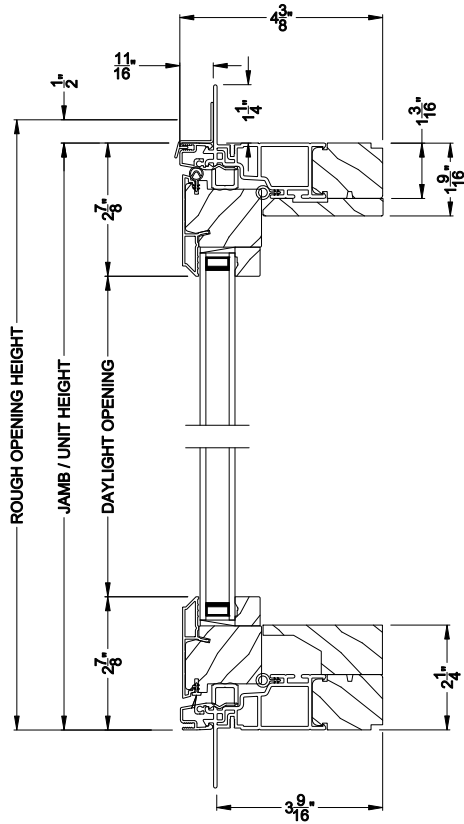
Note: All dimensions are approximate. Weather Shield reserves the right to change specifications without notice.

Weather Shield®

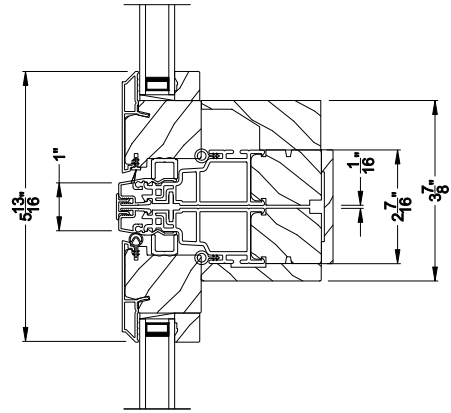
Contemporary Collection™

Push Out Casement Windows

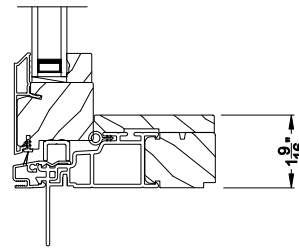
CROSS SECTION DETAILS



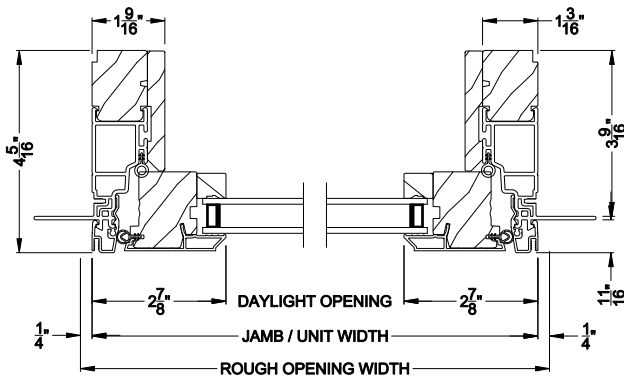
CONTEMPORARY CASEMENT PICTURE WINDOW (8220)
Vertical Section - Manual Push Out - 3-9/16" jamb



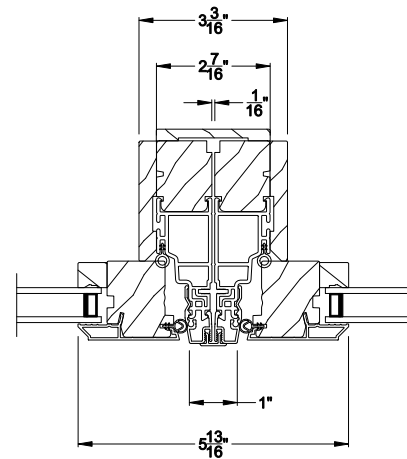
CONTEMPORARY CASEMENT PICTURE WINDOW
Horizontal Stack Section - Transom Stack over Casement Picture



CONTEMPORARY CASEMENT PICTURE WINDOW (8220)
Vertical Section - Manual Push Out - Low Profile Sill



CONTEMPORARY CASEMENT PICTURE WINDOW (8220)
Horizontal Section - Manual Push Out - 3-9/16" jamb



CONTEMPORARY CASEMENT PICTURE WINDOW
Vertical Mull Section

Note: All dimensions are approximate. Weather Shield reserves the right to change specifications without notice.