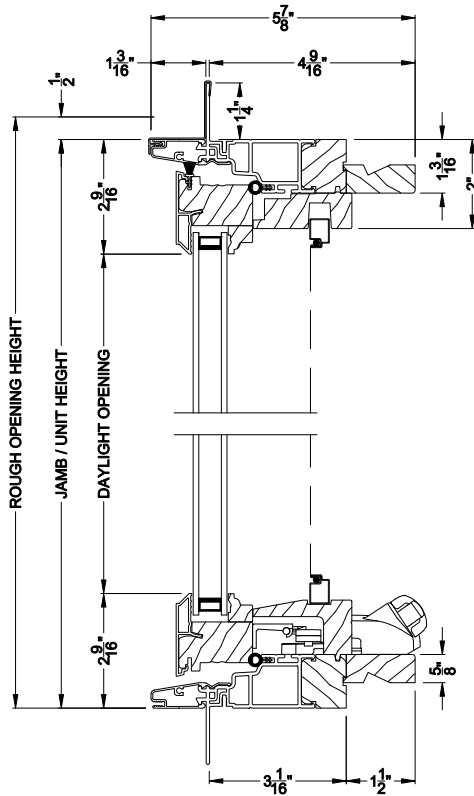


Weather Shield®

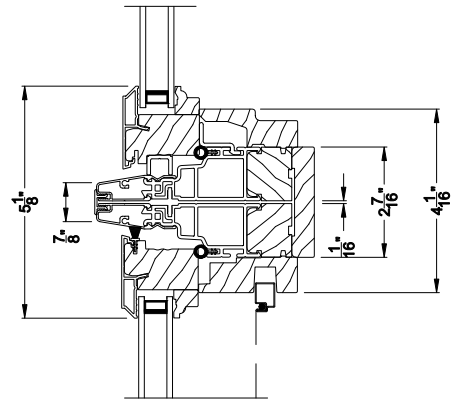
Signature Series™

Awning Windows

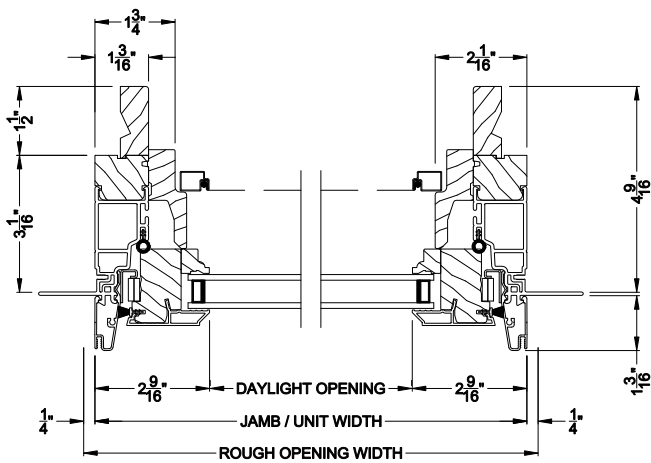
CROSS SECTION DETAILS



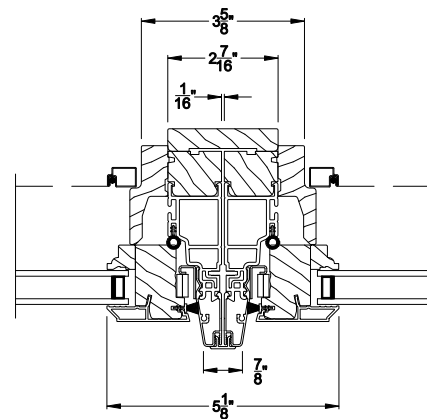
SIGNATURE AWNING WINDOW (8219)
Vertical Section



SIGNATURE AWNING WINDOW
Horizontal Stack Section - Transom Stack over Awning



SIGNATURE AWNING WINDOW (8219)
Horizontal Section



SIGNATURE AWNING WINDOW
Vertical Mull Section

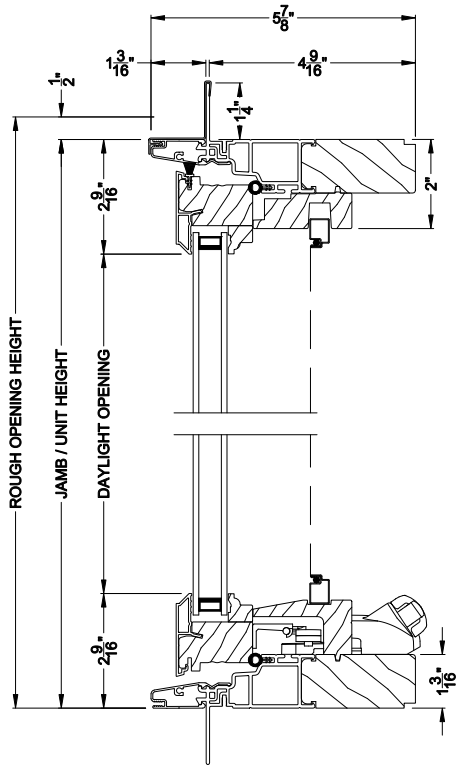
Note: All dimensions are approximate. Weather Shield reserves the right to change specifications without notice.

Weather Shield®

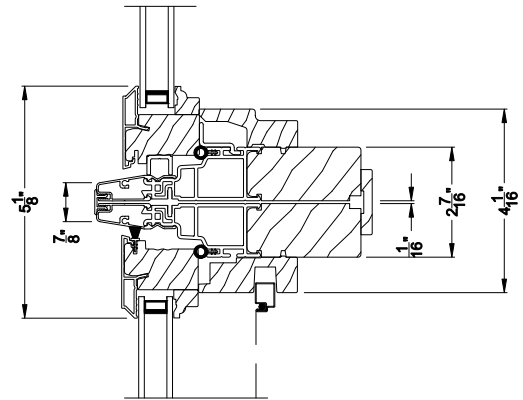
Signature Series™

Awning Windows

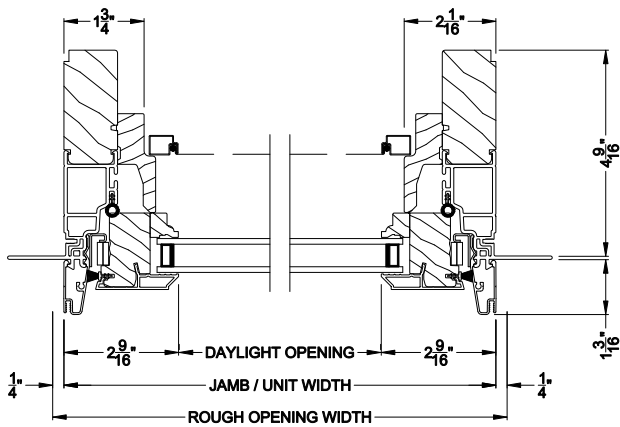
CROSS SECTION DETAILS



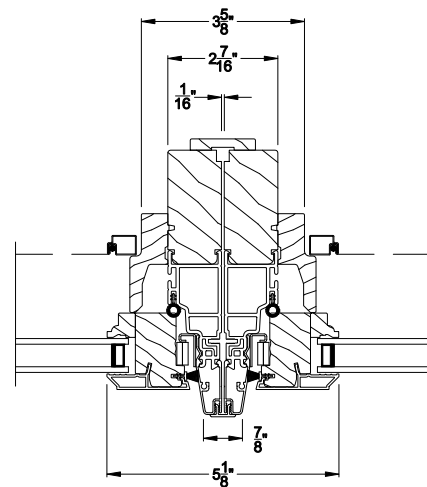
SIGNATURE AWNING WINDOW (8219)
Vertical Section - 5/4 Jamb



SIGNATURE AWNING WINDOW
Horizontal Stack Section - Transom Stack over Awning



SIGNATURE AWNING WINDOW (8219)
Horizontal Section - 5/4 Jamb



SIGNATURE AWNING WINDOW
Vertical Mull Section

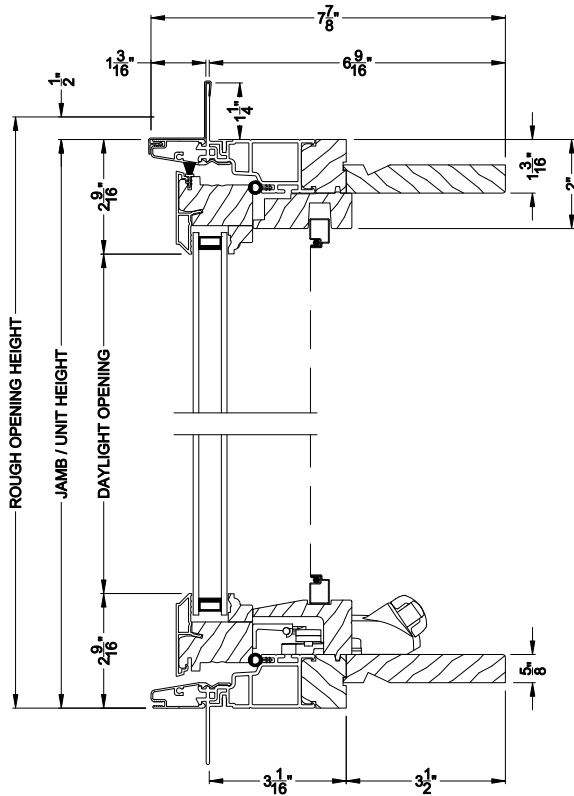
Note: All dimensions are approximate. Weather Shield reserves the right to change specifications without notice.

Weather Shield®

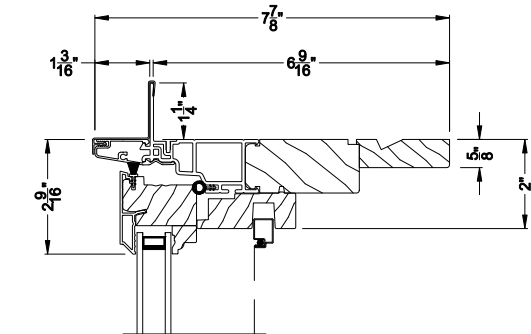
Signature Series™

Awning Windows

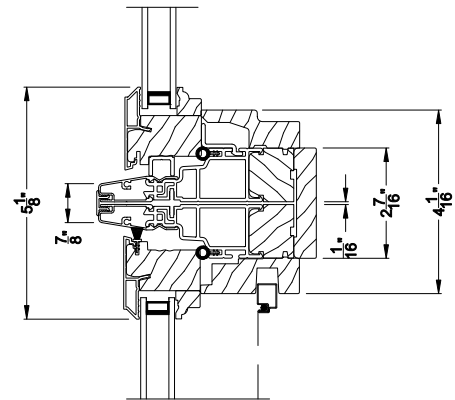
CROSS SECTION DETAILS



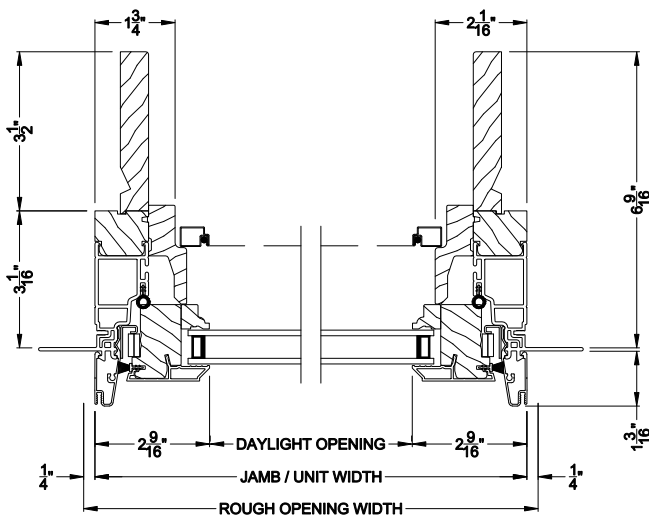
SIGNATURE AWNING WINDOW (8219)
Vertical Section - 6-9/16" jamb



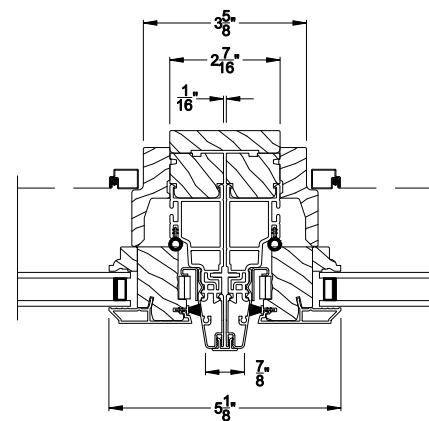
SIGNATURE AWNING WINDOW
Vertical Section - 5/4 jamb option with extension



SIGNATURE AWNING WINDOW
Horizontal Stack Section - Transom Stack over Awning



SIGNATURE AWNING WINDOW (8219)
Horizontal Section - 6-9/16" jamb



SIGNATURE AWNING WINDOW
Vertical Mull Section

Note: All dimensions are approximate. Weather Shield reserves the right to change specifications without notice.