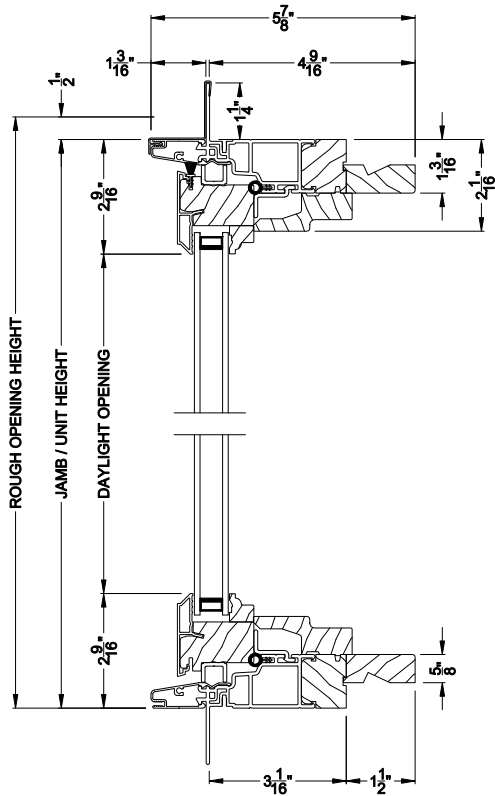


Weather Shield®

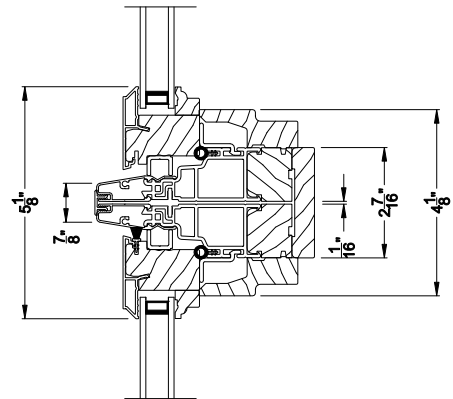
Signature Series™

Stationary Awning Windows

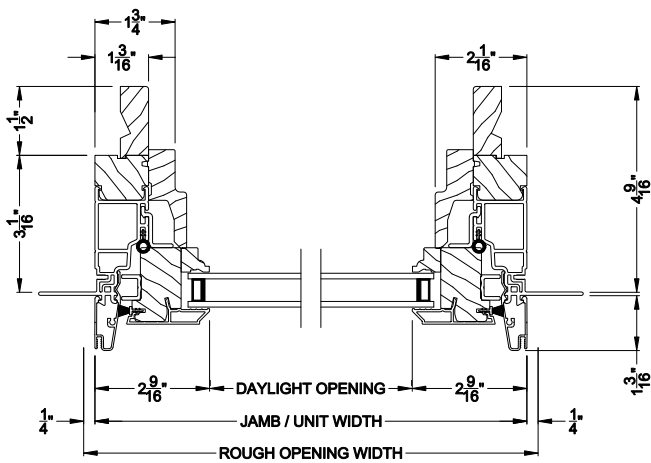
CROSS SECTION DETAILS



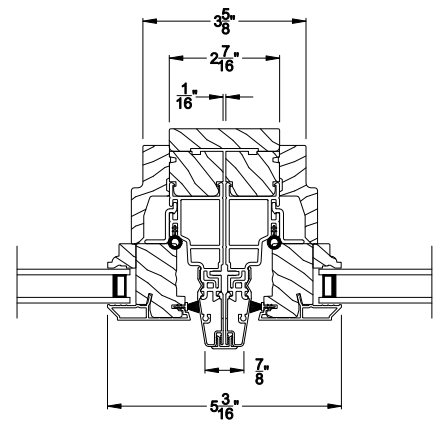
SIGNATURE AWNING PICTURE WINDOW (8219)
Vertical Section



SIGNATURE STATIONARY AWNING WINDOW
Horizontal Stack Section - Transom Stack over Stationary Awning



SIGNATURE AWNING PICTURE WINDOW (8219)
Horizontal Section



SIGNATURE STATIONARY AWNING WINDOW
Vertical Mull Section

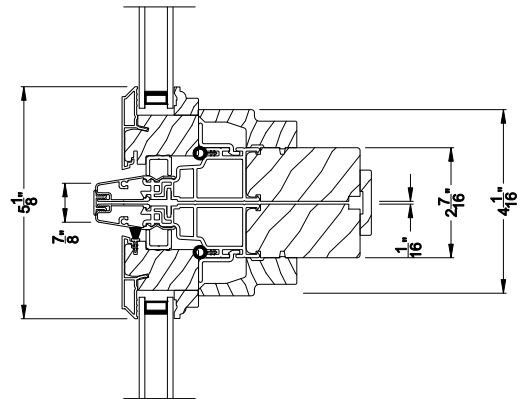
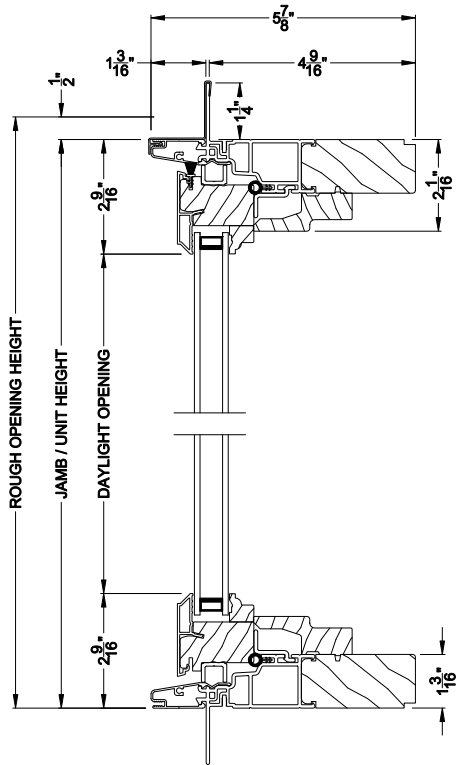
Note: All dimensions are approximate. Weather Shield reserves the right to change specifications without notice.

Weather Shield®

Signature Series™

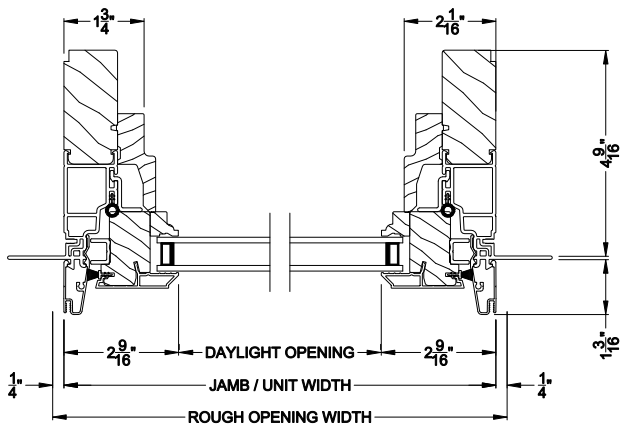
Stationary Awning Windows

CROSS SECTION DETAILS

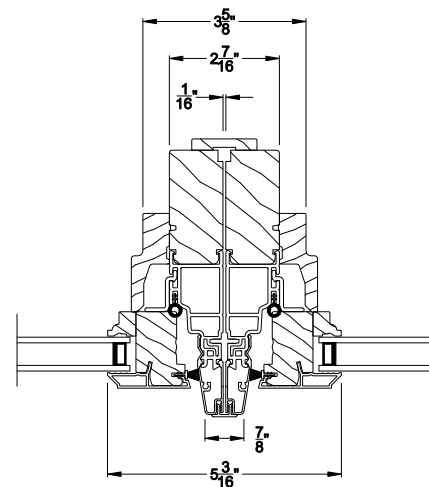


SIGNATURE STATIONARY AWNING WINDOW
Horizontal Stack Section - Transom Stack over Stationary Awning

SIGNATURE AWNING PICTURE WINDOW (8219)
Vertical Section - 5/4 Jamb



SIGNATURE AWNING PICTURE WINDOW (8219)
Horizontal Section - 5/4 Jamb



SIGNATURE STATIONARY AWNING WINDOW
Vertical Mull Section

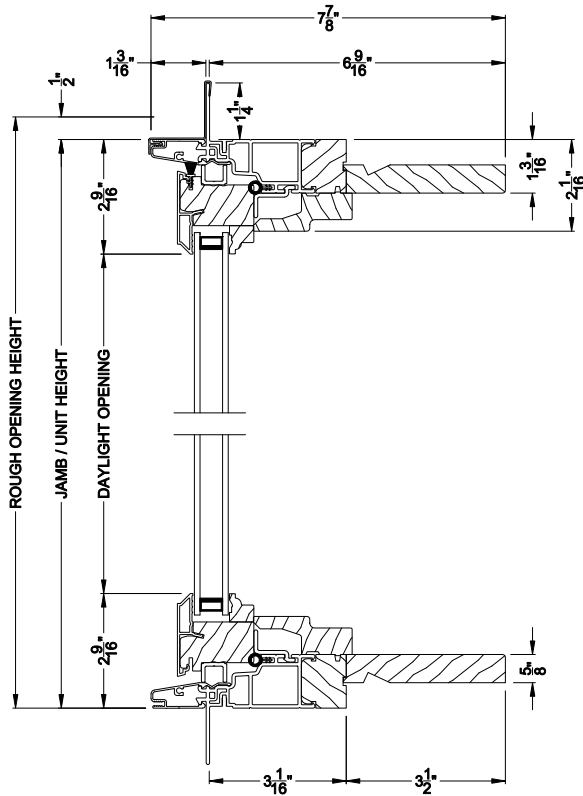
Note: All dimensions are approximate. Weather Shield reserves the right to change specifications without notice.

Weather Shield®

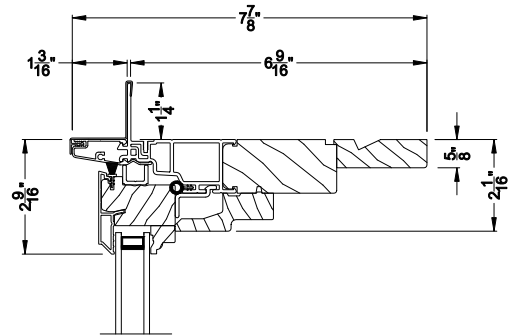
Signature Series™

Stationary Awning Windows

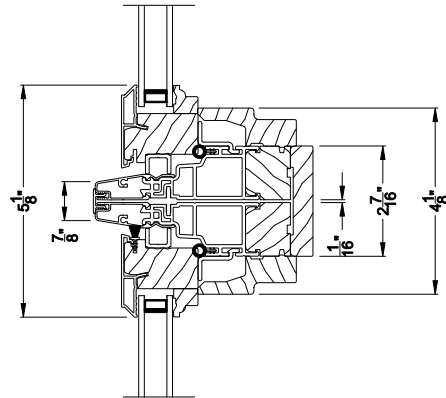
CROSS SECTION DETAILS



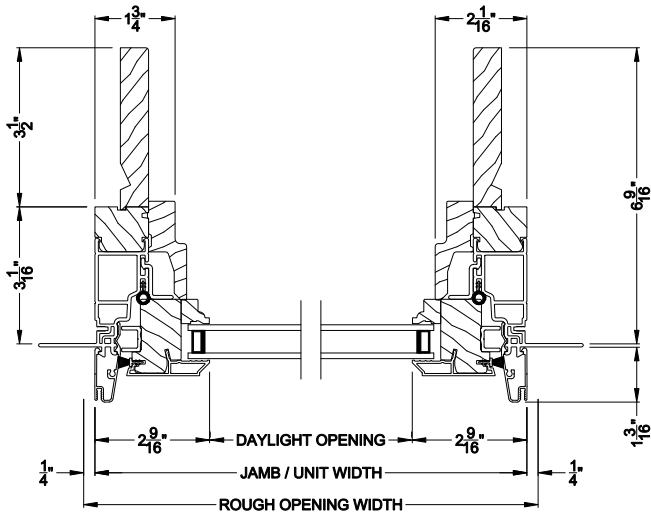
SIGNATURE AWNING PICTURE WINDOW (8219)
Vertical Section - 6-9/16" jamb



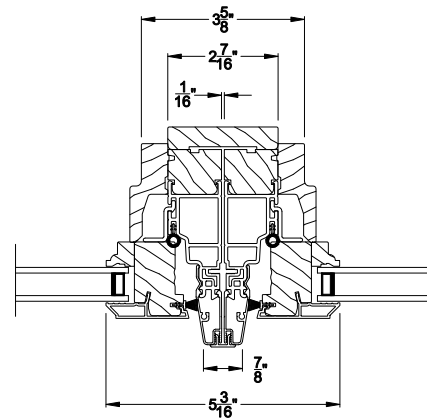
SIGNATURE AWNING PICTURE WINDOW
Vertical Section - 5/4 jamb option with extension



SIGNATURE STATIONARY AWNING WINDOW
Horizontal Stack Section - Transom Stack over Stationary Awning



SIGNATURE AWNING PICTURE WINDOW (8219)
Horizontal Section - 6-9/16" jamb



SIGNATURE STATIONARY AWNING WINDOW
Vertical Mull Section

Note: All dimensions are approximate. Weather Shield reserves the right to change specifications without notice.