

VUE Collection™

Opening Specifications

Casement Windows (4201)

Revised 12/1/21

WEATHER SHIELD. WINDOWS & DOORS

| Call Size | Sq. Ft. Clear Opening | Clear Opening | | Sq. Ft. Daylight Opening | Sq. Ft. Vent | Floor to Bottom of Clear Opening ^a | Sq. Ft. Overall Unit Area ^b |
|-----------|-----------------------|---------------|--------|--------------------------|--------------|---|--|
| | | Width | Height | | | | |
| 1620 | 1.77 | 12.92 | 19.77 | 1.47 | 1.77 | 60.49 | 2.79 |
| 1626 | 2.31 | 12.92 | 25.77 | 1.96 | 2.31 | 54.49 | 3.50 |
| 1630 | 2.85 | 12.92 | 31.77 | 2.45 | 2.85 | 48.49 | 4.22 |
| 1636 | 3.39 | 12.92 | 37.77 | 2.95 | 3.39 | 42.49 | 4.94 |
| 1640 | 3.93 | 12.92 | 43.77 | 3.44 | 3.93 | 36.49 | 5.66 |
| 1646 | 4.47 | 12.92 | 49.77 | 3.93 | 4.47 | 30.49 | 6.38 |
| 1650 | 5.00 | 12.92 | 55.77 | 4.43 | 5.00 | 24.49 | 7.10 |
| 1656 | 5.54 | 12.92 | 61.77 | 4.92 | 5.54 | 42.49 | 7.82 |
| 1660 | 6.08 | 12.92 | 67.77 | 5.41 | 6.08 | 36.49 | 8.54 |
| 1666 | 6.62 | 12.92 | 73.77 | 5.91 | 6.62 | 30.49 | 9.25 |
| 1670 | 7.16 | 12.92 | 79.77 | 6.40 | 7.16 | 24.49 | 9.97 |
| 1676 | 7.70 | 12.92 | 85.77 | 6.89 | 7.70 | 18.49 | 10.69 |
| 1680 | 8.23 | 12.92 | 91.77 | 7.39 | 8.23 | 12.49 | 11.41 |
| 1686 | 8.77 | 12.92 | 97.77 | 7.88 | 8.77 | 26.49 | 12.13 |
| 1690 | 9.31 | 12.92 | 103.77 | 8.37 | 9.31 | 20.49 | 12.85 |
| 1696 | 9.85 | 12.92 | 109.77 | 8.87 | 9.85 | 14.49 | 13.57 |
| 16100 | 10.39 | 12.92 | 115.77 | 9.36 | 10.39 | 8.49 | 14.29 |
| 1820 | 2.05 | 14.92 | 19.77 | 1.71 | 2.05 | 60.49 | 3.11 |
| 1826 | 2.67 | 14.92 | 25.77 | 2.29 | 2.67 | 54.49 | 3.91 |
| 1830 | 3.29 | 14.92 | 31.77 | 2.87 | 3.29 | 48.49 | 4.71 |
| 1836 | 3.91 | 14.92 | 37.77 | 3.44 | 3.91 | 42.49 | 5.51 |
| 1840 | 4.54 | 14.92 | 43.77 | 4.02 | 4.54 | 36.49 | 6.32 |
| 1846 | 5.16 | 14.92 | 49.77 | 4.60 | 5.16 | 30.49 | 7.12 |
| 1850 | 5.78 | 14.92 | 55.77 | 5.18 | 5.78 | 24.49 | 7.92 |
| 1856 | 6.40 | 14.92 | 61.77 | 5.75 | 6.40 | 42.49 | 8.72 |
| 1860 | 7.02 | 14.92 | 67.77 | 6.33 | 7.02 | 36.49 | 9.52 |
| 1866 | 7.64 | 14.92 | 73.77 | 6.91 | 7.64 | 30.49 | 10.33 |
| 1870 | 8.27 | 14.92 | 79.77 | 7.48 | 8.27 | 24.49 | 11.13 |
| 1876 | 8.89 | 14.92 | 85.77 | 8.06 | 8.89 | 18.49 | 11.93 |
| 1880 | 9.51 | 14.92 | 91.77 | 8.64 | 9.51 | 12.49 | 12.73 |
| 1886 | 10.13 | 14.92 | 97.77 | 9.21 | 10.13 | 26.49 | 13.54 |
| 1890 | 10.75 | 14.92 | 103.77 | 9.79 | 10.75 | 20.49 | 14.34 |
| 1896 | 11.37 | 14.92 | 109.77 | 10.37 | 11.37 | 14.49 | 15.14 |
| 18100 | 12.00 | 14.92 | 115.77 | 10.94 | 12.00 | 8.49 | 15.94 |
| 2020 | 2.60 | 18.92 | 19.77 | 2.21 | 2.60 | 60.49 | 3.75 |
| 2026 | 3.39 | 18.92 | 25.77 | 2.95 | 3.39 | 54.49 | 4.72 |
| 2030 | 4.17 | 18.92 | 31.77 | 3.70 | 4.17 | 48.49 | 5.69 |
| 2036 | 4.96 | 18.92 | 37.77 | 4.44 | 4.96 | 42.49 | 6.66 |
| 2040 | 5.75 | 18.92 | 43.77 | 5.18 | 5.75 | 36.49 | 7.63 |
| 2046 | 6.54 | 18.92 | 49.77 | 5.93 | 6.54 | 30.49 | 8.60 |
| 2050 | 7.33 | 18.92 | 55.77 | 6.67 | 7.33 | 24.49 | 9.57 |
| 2056 | 8.12 | 18.92 | 61.77 | 7.41 | 8.12 | 42.49 | 10.54 |
| 2060 | 8.90 | 18.92 | 67.77 | 8.16 | 8.90 | 36.49 | 11.50 |
| 2066 | 9.69 | 18.92 | 73.77 | 8.90 | 9.69 | 30.49 | 12.47 |
| 2070 | 10.48 | 18.92 | 79.77 | 9.64 | 10.48 | 24.49 | 13.44 |
| 2076 | 11.27 | 18.92 | 85.77 | 10.39 | 11.27 | 18.49 | 14.41 |
| 2080 | 12.06 | 18.92 | 91.77 | 11.13 | 12.06 | 12.49 | 15.38 |
| 2086 | 12.85 | 18.92 | 97.77 | 11.87 | 12.85 | 26.49 | 16.35 |
| 2090 | 13.63 | 18.92 | 103.77 | 12.62 | 13.63 | 20.49 | 17.32 |
| 2096 | 14.42 | 18.92 | 109.77 | 13.36 | 14.42 | 14.49 | 18.29 |
| 20100 | 15.21 | 18.92 | 115.77 | 14.10 | 15.21 | 8.49 | 19.25 |
| 2420 | 3.15 | 22.92 | 19.77 | 2.71 | 3.15 | 60.49 | 4.40 |
| 2426 | 4.10 | 22.92 | 25.77 | 3.62 | 4.10 | 54.49 | 5.54 |
| 2430 | 5.06 | 22.92 | 31.77 | 4.53 | 5.06 | 48.49 | 6.67 |
| 2436 | 6.01 | 22.92 | 37.77 | 5.44 | 6.01 | 42.49 | 7.81 |
| 2440 | 6.97 | 22.92 | 43.77 | 6.35 | 6.97 | 36.49 | 8.94 |
| 2446 | 7.92 | 22.92 | 49.77 | 7.26 | 7.92 | 30.49 | 10.08 |
| 2450 | 8.88 | 22.92 | 55.77 | 8.17 | 8.88 | 24.49 | 11.21 |
| 2456 | 9.83 | 22.92 | 61.77 | 9.08 | 9.83 | 42.49 | 12.35 |
| 2460 | 10.79 | 22.92 | 67.77 | 9.99 | 10.79 | 36.49 | 13.48 |
| 2466 | 11.74 | 22.92 | 73.77 | 10.90 | 11.74 | 30.49 | 14.62 |
| 2470 | 12.70 | 22.92 | 79.77 | 11.81 | 12.70 | 24.49 | 15.75 |
| 2476 | 13.65 | 22.92 | 85.77 | 12.72 | 13.65 | 18.49 | 16.89 |
| 2480 | 14.61 | 22.92 | 91.77 | 13.63 | 14.61 | 12.49 | 18.02 |
| 2486 | 15.56 | 22.92 | 97.77 | 14.54 | 15.56 | 26.49 | 19.16 |
| 2490 | 16.52 | 22.92 | 103.77 | 15.45 | 16.52 | 20.49 | 20.30 |
| 2496 | 17.47 | 22.92 | 109.77 | 16.36 | 17.47 | 14.49 | 21.43 |
| 24100 | 18.43 | 22.92 | 115.77 | 17.27 | 18.43 | 8.49 | 22.57 |

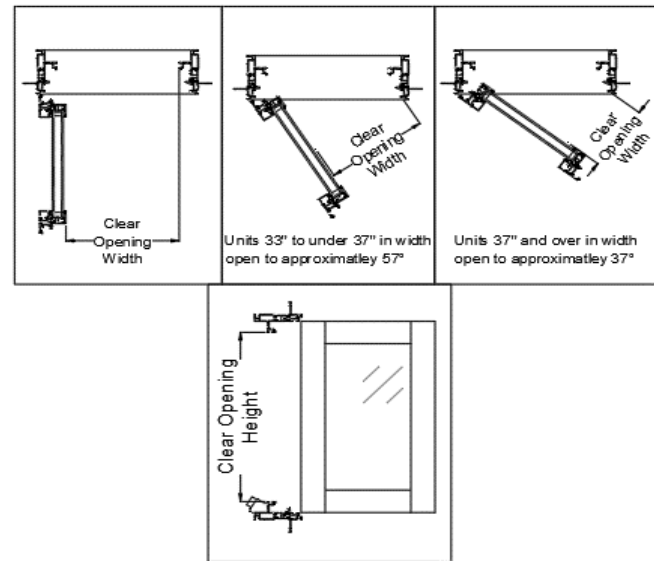
Shaded sizes meet or exceed egress opening requirements per 2006 IBC (International Building Code) minimum dimensions of 20" clear opening width, 24" clear opening height, 5.7 sq. ft. clear opening and floor to bottom of clear opening not to exceed 44".

^a Floor to bottom of clear opening dimensions are based on 82" header height.

All units over 66" height are based off 106" header height for floor to clear opening dimension

All units over 90" height are based off 126" header height for floor to clear opening dimension

^b Sq. Ft. Overall Unit Area is calculated on the jamb dimension.



VUE Collection™

Opening Specifications

Casement Windows (4201)

Revised 12/1/21

WEATHER SHIELD.

WINDOWS & DOORS

| Call Size | Sq. Ft. Clear Opening | Clear Opening | | Sq. Ft. Daylight Opening | Sq. Ft. Vent | Floor to Bottom of Clear Opening ^a | Sq. Ft. Overall Unit Area ^b |
|-------------------|-----------------------|---------------|--------|--------------------------|--------------|---|--|
| | | Width | Height | | | | |
| 2620 | 3.42 | 24.92 | 19.77 | 2.95 | 3.42 | 60.49 | 4.72 |
| 2626 | 4.46 | 24.92 | 25.77 | 3.95 | 4.46 | 54.49 | 5.94 |
| 2630 | 5.50 | 24.92 | 31.77 | 4.94 | 5.50 | 48.49 | 7.16 |
| 2636 | 6.54 | 24.92 | 37.77 | 5.93 | 6.54 | 42.49 | 8.38 |
| 2640 | 7.57 | 24.92 | 43.77 | 6.93 | 7.57 | 36.49 | 9.60 |
| 2646 | 8.61 | 24.92 | 49.77 | 7.92 | 8.61 | 30.49 | 10.82 |
| 2650 | 9.65 | 24.92 | 55.77 | 8.91 | 9.65 | 24.49 | 12.04 |
| 2656 | 10.69 | 24.92 | 61.77 | 9.91 | 10.69 | 42.49 | 13.25 |
| 2660 | 11.73 | 24.92 | 67.77 | 10.90 | 11.73 | 36.49 | 14.47 |
| 2666 | 12.77 | 24.92 | 73.77 | 11.89 | 12.77 | 30.49 | 15.69 |
| 2670 | 13.80 | 24.92 | 79.77 | 12.89 | 13.80 | 24.49 | 16.91 |
| 2676 | 14.84 | 24.92 | 85.77 | 13.88 | 14.84 | 18.49 | 18.13 |
| 2680 | 15.88 | 24.92 | 91.77 | 14.87 | 15.88 | 12.49 | 19.35 |
| 2686 | 16.92 | 24.92 | 97.77 | 15.87 | 16.92 | 26.49 | 20.57 |
| 2690 | 17.96 | 24.92 | 103.77 | 16.86 | 17.96 | 20.49 | 21.79 |
| 2696 | 19.00 | 24.92 | 109.77 | 17.85 | 19.00 | 14.49 | 23.00 |
| 26100 | 20.03 | 24.92 | 115.77 | 18.85 | 20.03 | 8.49 | 24.22 |
| 2820 | 3.70 | 26.92 | 19.77 | 3.20 | 3.70 | 60.49 | 5.05 |
| 2826 | 4.82 | 26.92 | 25.77 | 4.28 | 4.82 | 54.49 | 6.35 |
| 2830 ^c | 5.94 | 26.92 | 31.77 | 5.36 | 5.94 | 48.49 | 7.65 |
| 2836 | 7.06 | 26.92 | 37.77 | 6.43 | 7.06 | 42.49 | 8.95 |
| 2840 | 8.18 | 26.92 | 43.77 | 7.51 | 8.18 | 36.49 | 10.25 |
| 2846 | 9.30 | 26.92 | 49.77 | 8.59 | 9.30 | 30.49 | 11.56 |
| 2850 | 10.43 | 26.92 | 55.77 | 9.66 | 10.43 | 24.49 | 12.86 |
| 2856 | 11.55 | 26.92 | 61.77 | 10.74 | 11.55 | 42.49 | 14.16 |
| 2860 | 12.67 | 26.92 | 67.77 | 11.82 | 12.67 | 36.49 | 15.46 |
| 2866 | 13.79 | 26.92 | 73.77 | 12.89 | 13.79 | 30.49 | 16.76 |
| 2870 | 14.91 | 26.92 | 79.77 | 13.97 | 14.91 | 24.49 | 18.07 |
| 2876 | 16.03 | 26.92 | 85.77 | 15.05 | 16.03 | 18.49 | 19.37 |
| 2880 | 17.16 | 26.92 | 91.77 | 16.12 | 17.16 | 12.49 | 20.67 |
| 2886 | 18.28 | 26.92 | 97.77 | 17.20 | 18.28 | 26.49 | 21.97 |
| 2890 | 19.40 | 26.92 | 103.77 | 18.28 | 19.40 | 20.49 | 23.27 |
| 2896 | 20.52 | 26.92 | 109.77 | 19.35 | 20.52 | 14.49 | 24.58 |
| 28100 | 21.64 | 26.92 | 115.77 | 20.43 | 21.64 | 8.49 | 25.88 |
| 3020 | 4.25 | 30.92 | 19.77 | 3.70 | 4.25 | 60.49 | 5.69 |
| 3026 | 5.53 | 30.92 | 25.77 | 3.70 | 5.53 | 54.49 | 7.16 |
| 3030 ^c | 6.82 | 30.92 | 31.77 | 4.94 | 6.82 | 48.49 | 8.63 |
| 3036 | 8.11 | 30.92 | 37.77 | 6.18 | 8.11 | 42.49 | 10.10 |
| 3040 | 9.40 | 30.92 | 43.77 | 7.43 | 9.40 | 36.49 | 11.57 |
| 3046 | 10.69 | 30.92 | 49.77 | 8.67 | 10.69 | 30.49 | 13.04 |
| 3050 | 11.98 | 30.92 | 55.77 | 9.91 | 11.98 | 24.49 | 14.50 |
| 3056 | 13.26 | 30.92 | 61.77 | 11.16 | 13.26 | 42.49 | 15.97 |
| 3060 | 14.55 | 30.92 | 67.77 | 12.40 | 14.55 | 36.49 | 17.44 |
| 3066 | 15.84 | 30.92 | 73.77 | 13.64 | 15.84 | 30.49 | 18.91 |
| 3070 | 17.13 | 30.92 | 79.77 | 14.89 | 17.13 | 24.49 | 20.38 |
| 3076 | 18.42 | 30.92 | 85.77 | 16.13 | 18.42 | 18.49 | 21.85 |
| 3080 | 19.71 | 30.92 | 91.77 | 17.37 | 19.71 | 12.49 | 23.32 |
| 3086 | 20.99 | 30.92 | 97.77 | 18.62 | 20.99 | 26.49 | 24.79 |
| 3090 | 22.28 | 30.92 | 103.77 | 19.86 | 22.28 | 20.49 | 26.25 |
| 3096 | 23.57 | 30.92 | 109.77 | 21.10 | 23.57 | 14.49 | 27.72 |
| 30100 | 24.86 | 30.92 | 115.77 | 22.35 | 24.86 | 8.49 | 29.19 |
| 3620 | 5.07 | 36.92 | 19.77 | 4.44 | 5.07 | 60.49 | 6.66 |
| 3626 ^c | 6.61 | 36.92 | 25.77 | 4.44 | 6.61 | 54.49 | 8.38 |
| 3630 ^c | 8.15 | 36.92 | 31.77 | 5.93 | 8.15 | 48.49 | 10.10 |
| 3636 | 9.68 | 36.92 | 37.77 | 7.43 | 9.68 | 42.49 | 11.82 |
| 3640 | 11.22 | 36.92 | 43.77 | 8.92 | 11.22 | 36.49 | 13.54 |
| 3646 | 12.76 | 36.92 | 49.77 | 10.41 | 12.76 | 30.49 | 15.25 |
| 3650 | 14.30 | 36.92 | 55.77 | 11.91 | 14.30 | 24.49 | 16.97 |
| 3656 | 15.84 | 36.92 | 61.77 | 13.40 | 15.84 | 42.49 | 18.69 |
| 3660 | 17.38 | 36.92 | 67.77 | 14.89 | 17.38 | 36.49 | 20.41 |
| 3666 | 18.91 | 36.92 | 73.77 | 16.39 | 18.91 | 30.49 | 22.13 |
| 3670 | 20.45 | 36.92 | 79.77 | 17.88 | 20.45 | 24.49 | 23.85 |
| 3676 | 21.99 | 36.92 | 85.77 | 19.37 | 21.99 | 18.49 | 25.57 |
| 3680 | 23.53 | 36.92 | 91.77 | 20.87 | 23.53 | 12.49 | 27.29 |
| 3686 | 25.07 | 36.92 | 97.77 | 22.36 | 25.07 | 26.49 | 29.00 |
| 3690 | 26.61 | 36.92 | 103.77 | 23.85 | 26.61 | 20.49 | 30.72 |
| 3696 | 28.14 | 36.92 | 109.77 | 25.35 | 28.14 | 14.49 | 32.44 |
| 36100 | 29.68 | 36.92 | 115.77 | 26.84 | 29.68 | 8.49 | 34.16 |

Shaded sizes meet or exceed egress opening requirements per 2006 IBC (International Building Code) minimum dimensions of 20" clear opening width, 24" clear opening height, 5.7 sq. ft. clear opening and floor to bottom of clear opening not to exceed 44".

^a Floor to bottom of clear opening dimensions are based on 82" header height.

All units over 66" height are based off 106" header height for floor to clear opening dimension

All units over 90" height are based off 126" header height for floor to clear opening dimension

^b Sq. Ft. Overall Unit Area is calculated on the jamb dimension.

^c These windows meet or exceed emergency escape and rescue opening requirements if installed lower in the wall so the "Floor to Bottom of Clear Opening Height" does not exceed 44".

All units 33" to under 37" in jamb width are manufactured with a limiting operator position. Sash opens to approximately 54° at full opening, which could limit emergency escape and rescue compatibility. All units 37" and wider in jamb width are manufactured with a limiting operator position. Sash opens to approximately 39° at full opening, which could limit emergency escape and rescue compatibility. Clear opening width values for these are calculated parallel to the sash. Check with your local building inspector to verify allowance